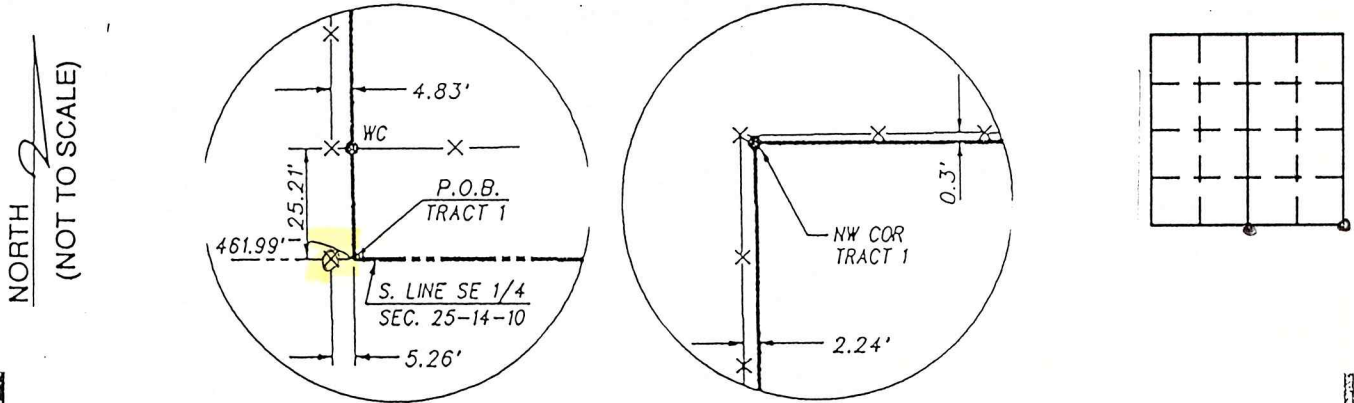


# VERMILLION COUNTY, IND. "MONUMENT RECORD" OF

LAND SURVEY MONUMENTS SITUATED IN SECTION 25, TOWNSHIP 14 N,  
RANGE 10 W, OF THE 2<sup>nd</sup> PRINCIPAL MERIDIAN,  
COUNTY, INDIANA SW & SE Corners of SE 1/4

MONUMENT DESCRIPTION AND REMARKS: Hayes-Sablotny Surveys for Lorene Martin Estate. SE 1/4, Corner located. 6-16-98. Tract 1 of 5 Recorder's Office- Survey Book #1, Page 427 Surveyor's Office- Field Survey Book #4



DETAIL 1

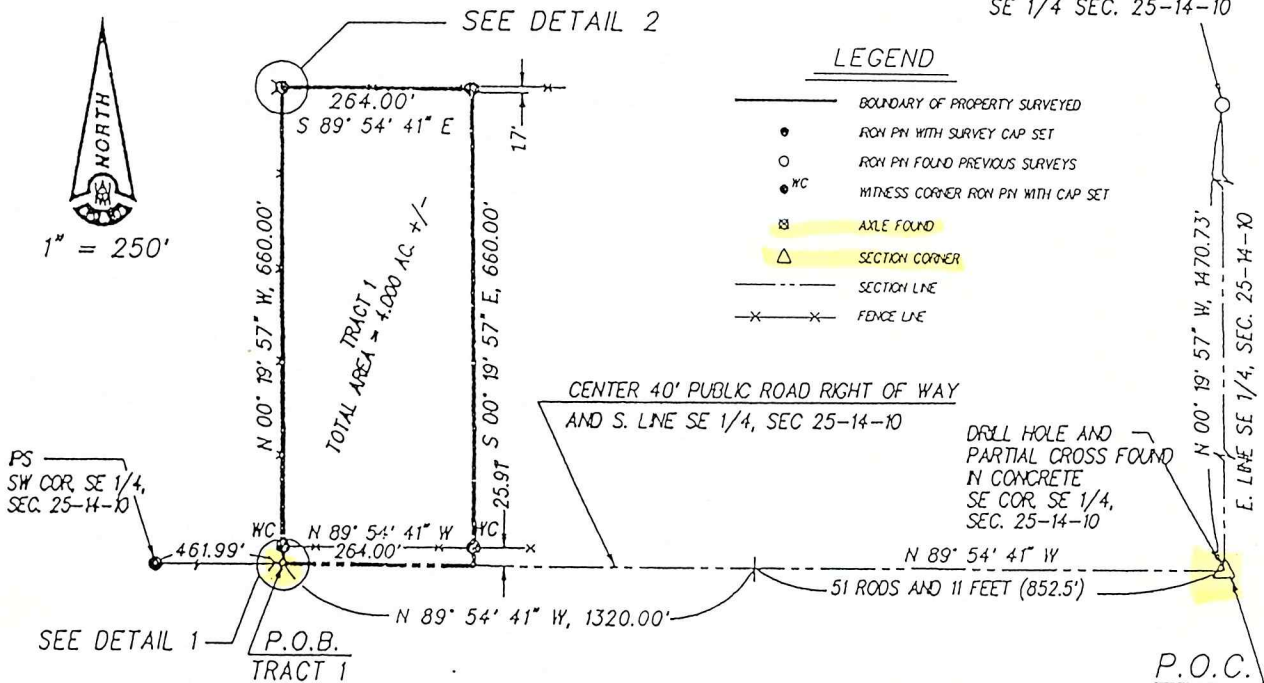
DETAIL 2

5/8" IPF LOCATED ON THE EAST LINE OF THE SE 1/4 SEC. 25-14-10



### LEGEND

- BOUNDARY OF PROPERTY SURVEYED
- IRON PIN WITH SURVEY CAP SET
- IRON PIN FOUND PREVIOUS SURVEYS
- WC WITNESS CORNER IRON PIN WITH CAP SET
- ⊗ AXLE FOUND
- △ SECTION CORNER
- - - SECTION LINE
- x - x FENCE LINE



STATE OF \_\_\_\_\_  
COUNTY OF \_\_\_\_\_ SS

I, Dale E. Francis, HEREBY CERTIFY THAT THIS DOCUMENT WAS PREPARED UNDER MY DIRECTION IN ACCORDANCE WITH IND. CODE 36-2-12-11-(D)-(3) AND THE ABOVE DATA IS GIVEN UNDER MY HAND AND SEAL THIS 16<sup>th</sup> DAY OF June, 1998 A.D.

INDIANA REGISTERED LAND SURVEYOR NO. 11464

OR \_\_\_\_\_ UNITED STATES GOVERNMENT AGENCY

TITLE \_\_\_\_\_

SPACE RESERVED FOR RECORDING OFFICER

DATE FILED \_\_\_\_\_

